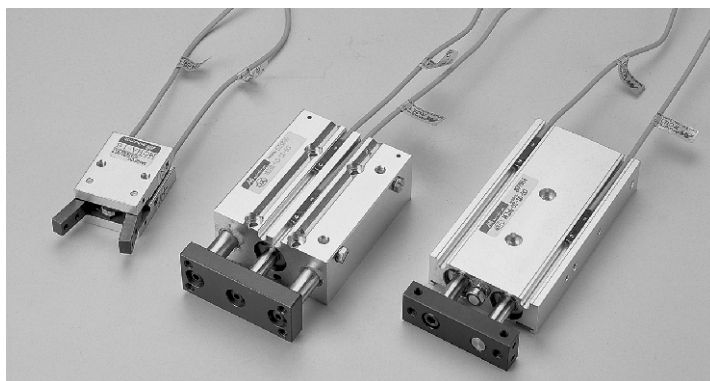
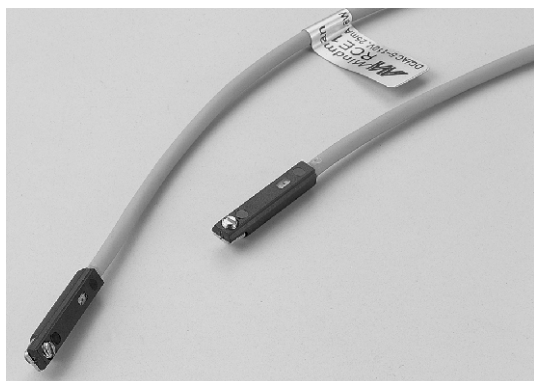


# RCE1 series

## SENSOR SWITCH



### Order example:

RCE1 — □

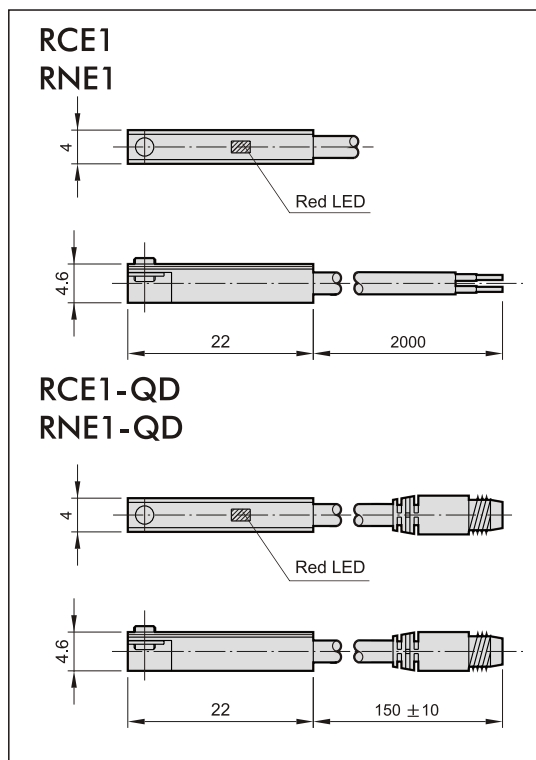
MODEL

C: Reed Switch

N: Solid State Switch

no code: Lead wire  
QD: Connector

### Dimension



### Specification:

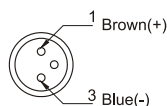
Model	RCE1	RNE1
Switch type	Reed switch	NPN current sinking
Contracts	Normal open	
Voltage range	5~120V DC/AC	5~28V DC
Current range	100mA max.	200mA max.
Switch range	10W max.	6W max.
Shock resistance	30G	50G
Voltage drop	2.5V max.	0.5V max.
Response time	Max. 1ms	
Temperature	-10~70°C	
Lead wire	2.8 φ, 2C, PVC	2.8 φ, 3C, PVC
Lead wire length	2 m	
Indicator lamp	LED lights up when ON	
Enclosure classification	IP 67 (NEMA 6)	
Indicator	Red LED	
Symbol		

### Assembling style:

Cylinder type	<b>MCFA, MCGB, MCGD, MCG3, MCRA, MCJT, MCJQ, MCSS, MCKB, MCDA, MCHA, MCHB</b>
Mounting clamp	

### Wiring of the QD

● 2 wire QD wiring



● 3 wire QD wiring

